



**FILLING
EXCELLENCE**

Bag filling from a single source






Highest filling precision

Kiefel's expertise in filling: The filling excellence is offered in compact small modules, like tabletop filling modules, semi-/automatic filling & sealing lines, or complete Form-Fill-Seal machines. Solutions to be filled vary from IV solutions (e.g. nutrition), dialysis, anticoagulant and others.

A wide range of options allows a customization of filling machines for any bag design. Tubes or ports, single- or multi-chamber bags with peel seal, coding & printing, nitrogen flushing, vacuuming, defined headspace, laminar flow are some features available upon request.

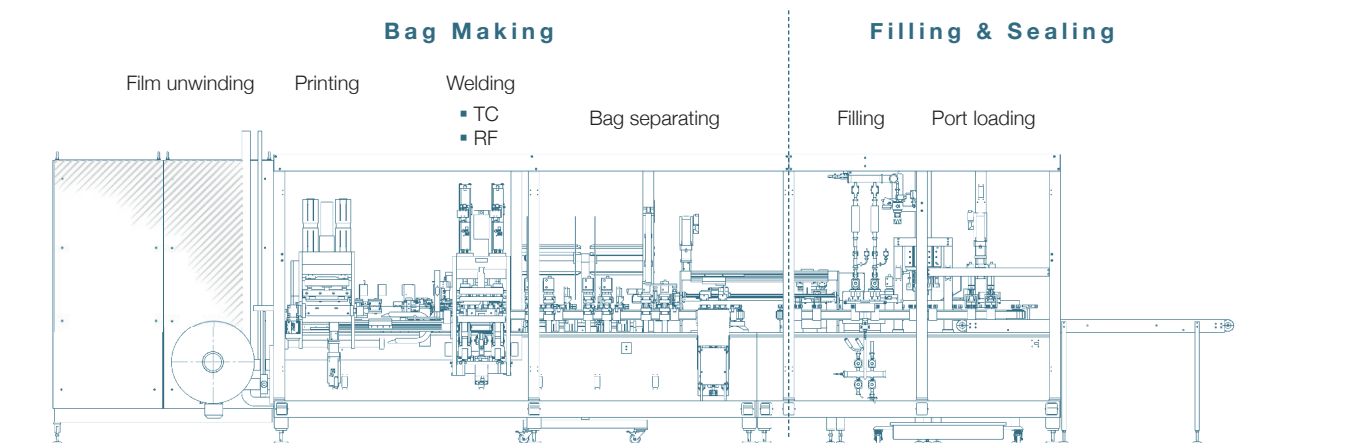


Main benefits at a glance:

-  Offering **filling & sealing** modules or machines combined with bag making (Form Fill Seal)
-  High quality mass-flower meter and optimized flow path ensure highest **filling precision**
-  Best filling quality due to **excellence in speed**, small tolerances and **drop-free system**
-  Automatic **CIP/SIP** available
-  Meets **FDA** and **cGMP** standards



SFT
Smart Fill
Technology



Example: Form-Fill-Seal machine

Technical data	Form-Fill-Seal KIF 23 (example)	Form-Fill-Seal KIF 53 (example)
Welding technology	Thermo-Contact	Thermo-Contact
Maximum welding area	280 x 320 mm	560 x 320 mm
Dimensions (L x W x H) approx.	7,330 x 4,730 x 2,100 mm	11,000 x 4,700 x 2,100 mm
Machine weight approx.	7,000 kg	10,000 kg
Operation	2-up	4-up
Nominal output 500 ml bag, approx.	2,400 bags/hour	4,800 bags/hour